

**PRODUCT CODE: PS5B**  
PLAIN SADDLE

**DESCRIPTION**

2" Plain Saddle

**FINISH**

Black Enamel

**MATERIAL**

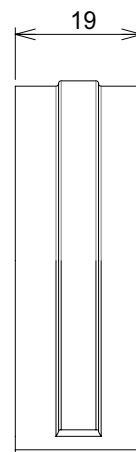
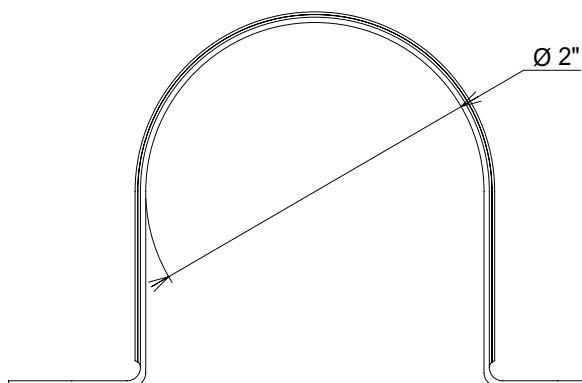
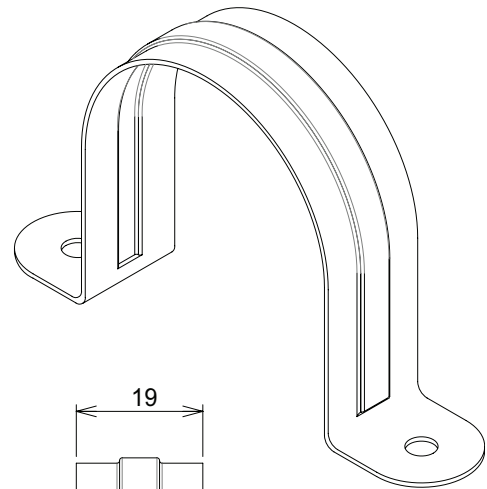
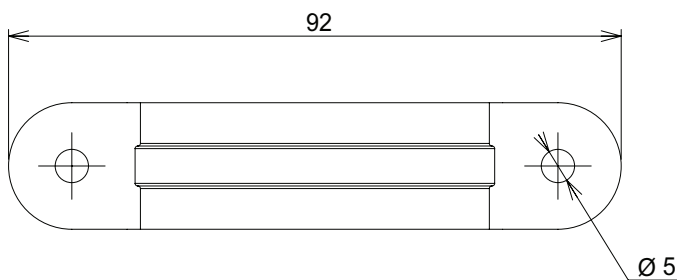
Pressed Steel

**PACKAGING**

Packed in qty 50

**ADDITIONAL NOTES**

Conforms to BS EN61386-1  
Compliant to LU Standard 1-085 (for use on surface & sub-surface locations)



Values are nominal and with a general tolerance  $\pm 5\%$  unless otherwise specified